

LEG CONNECTOR "WEKA"

- high quality furniture fittings



Leg Connector "Weka"
with internal tightening system for perfect positioning of the leg

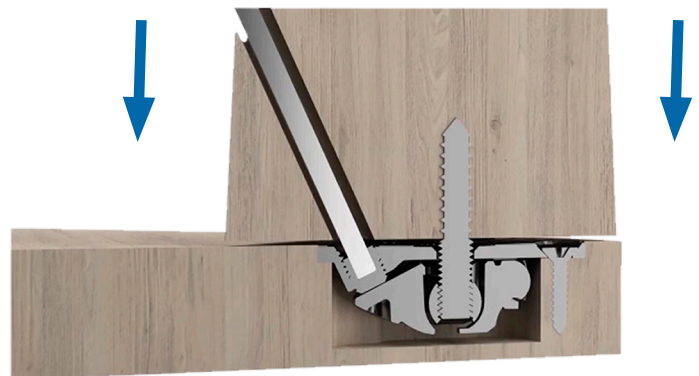
- is ideal for any shape of leg with an M8 thread
- is made of zamak & steel
- is made for min. 18mm panel thickness
- gives you the possibility to tighten and adjust your leg in any position
- pulls and holds the leg into place
- is perfect for knock-down furniture
- is made for flush or elevated installation
- is tested and certified according to EN 15372

PATENTED

LEG CONNECTOR "WEKA"

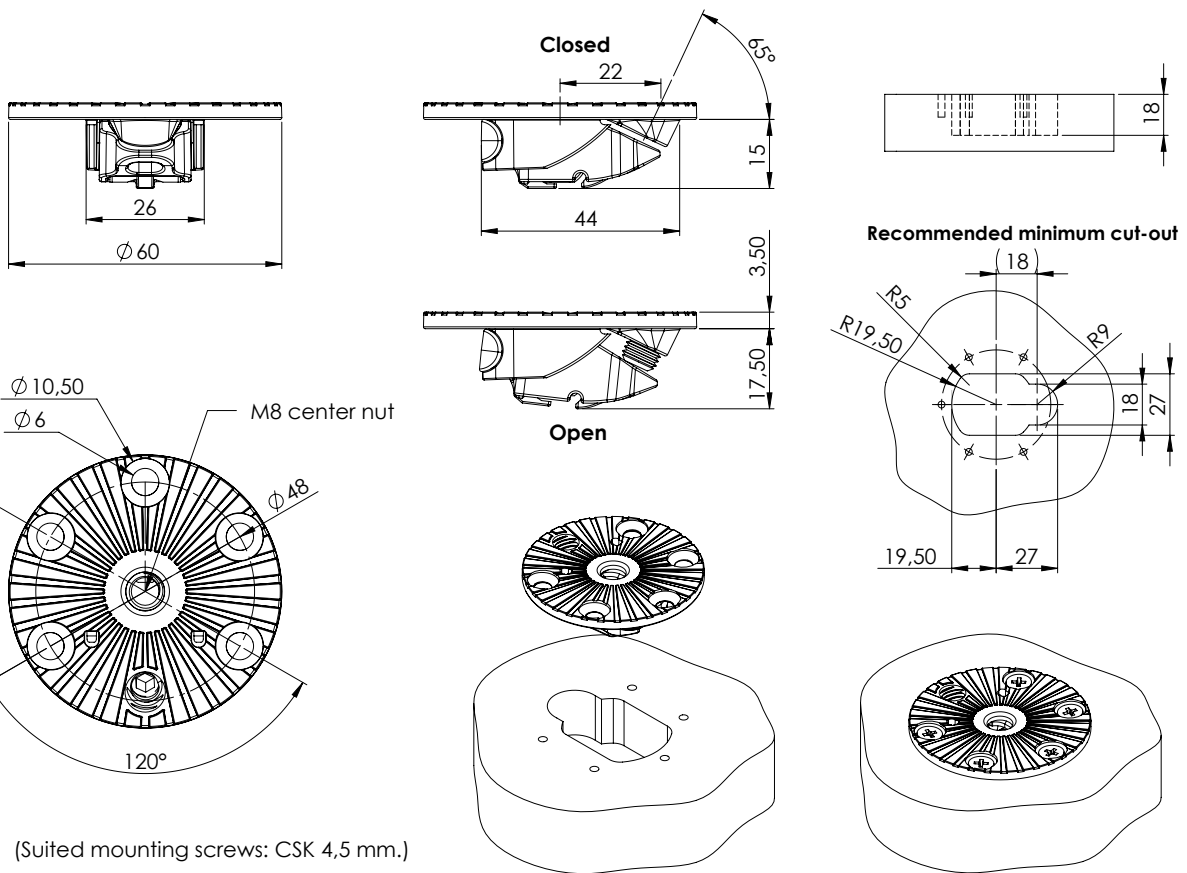
Material: Zamak body & steel nut
Size: Ø 60 x 17,5 mm
Screw holes: Ø6 mm
Item No.: 06.11.220

Screws and bolts to be bought separately



Tighten the set screw. The internal wedge system pulls and holds the leg into place

LEG CONNECTOR "WEKA"



SISO A/S